

Benfleet Yacht Club Paper Boat Race.

The Hull must be no longer than 12" (30cm) and made with paper or cardboard. But a bowsprit can be longer! And mast, sails, etc can be any material.

Here are some ideas but you will have your own as well.

A monohull can be very stable if it is windy but needs ballast making it heavy. A catamaran can be lighter but might blow over.

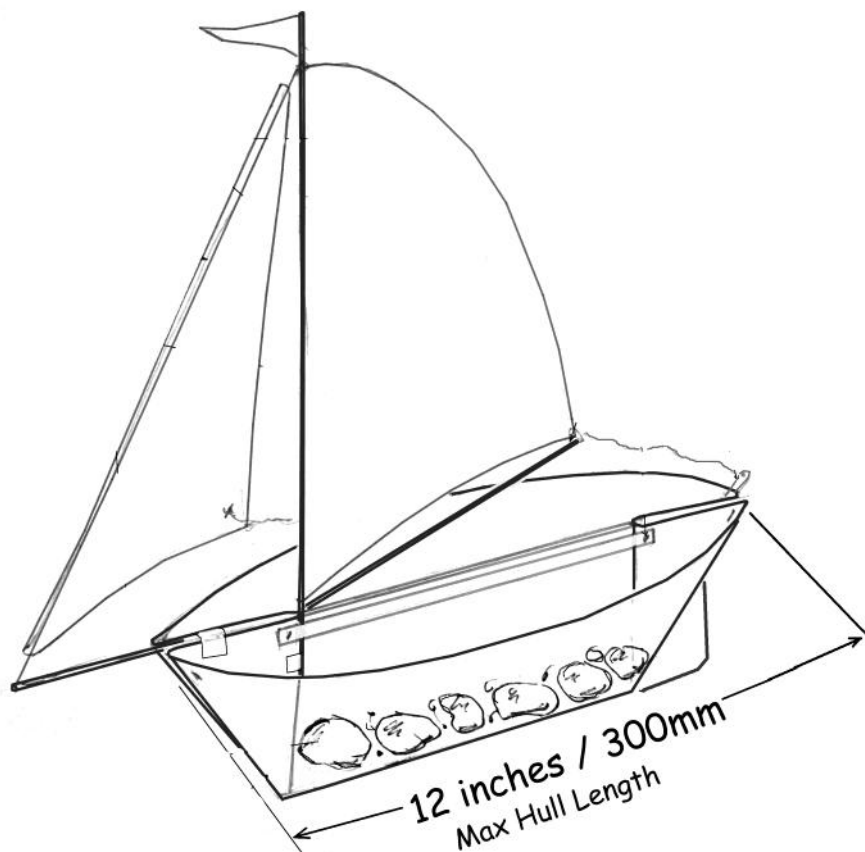
Cereal packets have a lot of cardboard to make hulls.

You can waterproof it with paint, varnish or two-part resin.

Either seal the hull or use plastic foam for buoyancy.

You can use wooden plant sticks and barbecue skewers for mast, boom and bowsprit. Sails can be polythene. Mylar sheet works well.

Example:



The Paper Boat Race will be on Sunday 4th Feb 2018 with registration from 14:00. Entry is £1 per boat which will be donated to the RNLI.

The start will be near high water which is at 15:20 and the course is in the creek from the south to the north.

See you there with your new boats!